

COPYRIGHT: 2021

MODULAR WIRING SYSTEMS

LIMITED

PARK ROAD
 HOLMEWOOD INDUSTRIAL PARK
 HOLMEWOOD, CHESTERFIELD, S42 5UW
 TELEPHONE: +44 (0) 1246 858 009
 FAX: +44 (0) 1246 854 747
 E-MAIL: ESTIMATES@MODWIRE.COM
 WWW.MODULARWIRING.COM

LONDON OFFICE:
 20 BIRCHIN LANE
 LONDON, EC3V 3DU
 TELEPHONE: +44 (0) 203 713 4640

REGISTRATION NO: 09310972

REVISIONS

NO.	DESCRIPTION	DATE	BY

DRAWN BY: MI

CHK. BY: TH

APPROVED: TH

DATE: 12.06.21

MWS Ltd. policy is one of continual product development and as such, product may vary from the details shown.

MWS Ltd. reserves the right to change details without prior notice.

© MWS Ltd.

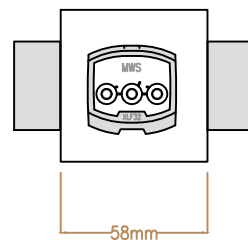
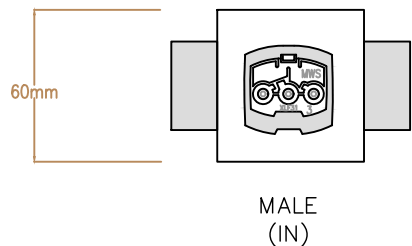
DRAWING No:

HL65910

REVISION: - SHT: | / |

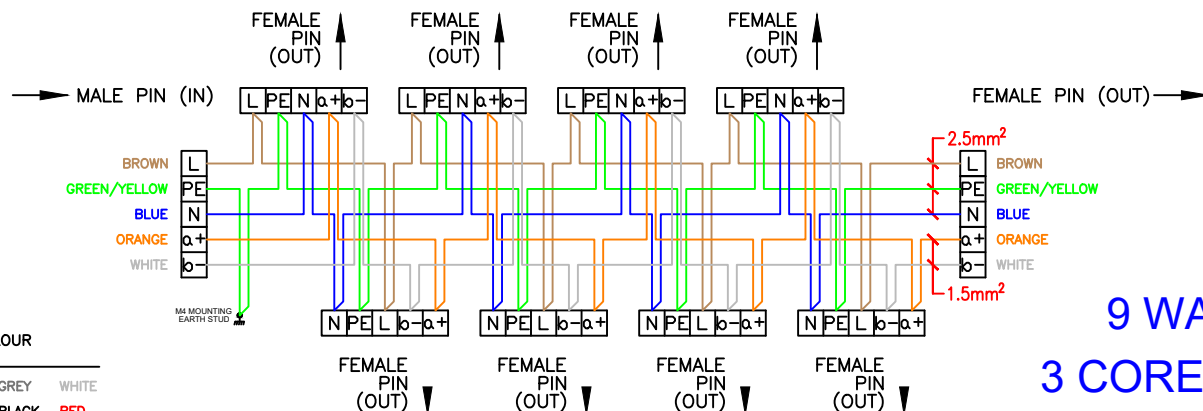
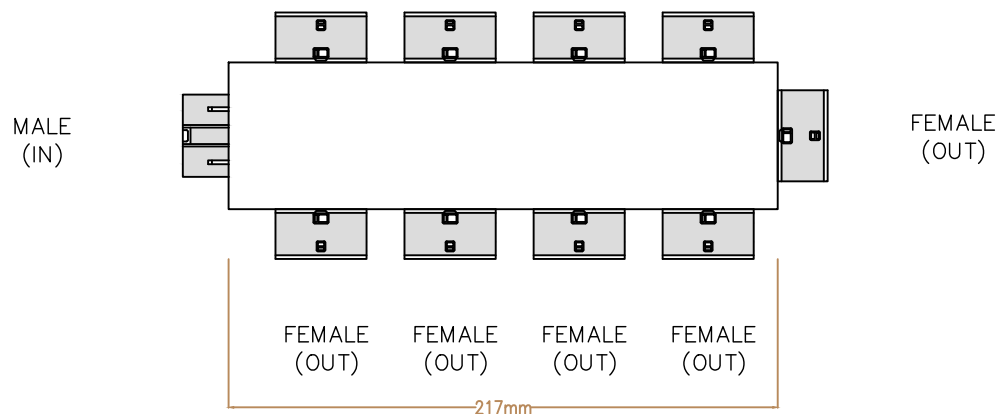
LEFT SIDE VIEW

RIGHT SIDE VIEW



TOP VIEW

FEMALE (OUT) FEMALE (OUT) FEMALE (OUT) FEMALE (OUT)



BUS CORE COLOUR VARIATIONS

- D1: ORANGE GREY WHITE
 D2: WHITE BLACK RED

9 WAY POWER 3 CORE 2.5mm + UTP MARSHALLING BOX